

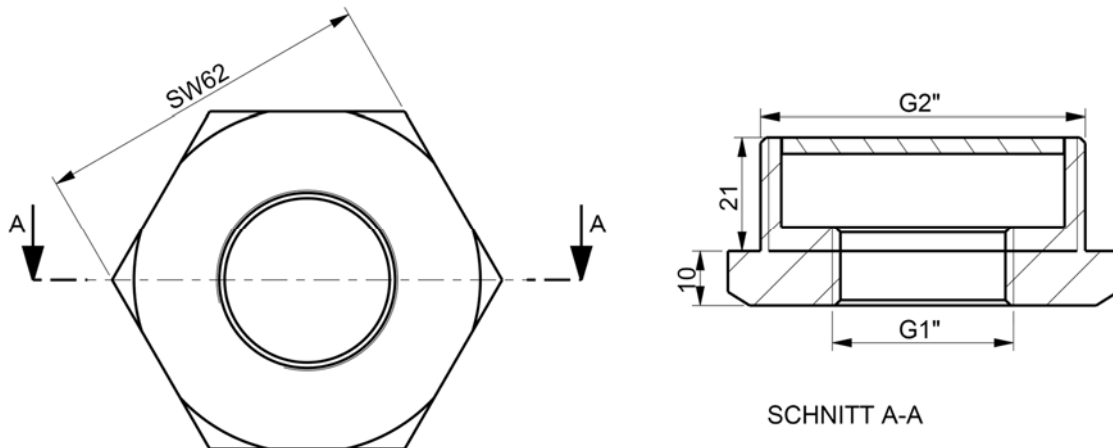
ANIF-2

Description

- Used to fluidize bulk material
- For bins with warped and straight walls
- Mounted inside the bin
- Air connector G 1", operating pressure up to 2,0 bar
- Highly porous sinter-material (1.4404, Ø Size of pores 13 µm or 8 µm) that lets air evaporate evenly into the surrounding bulk material
- Fitting made of stainless steel (1.4408)
- Temperature up to 500°C (Special seal required)
- Special versions available on request (e.g. acid or chlorine resistant)



Dimensions



Also available in customized variants

