

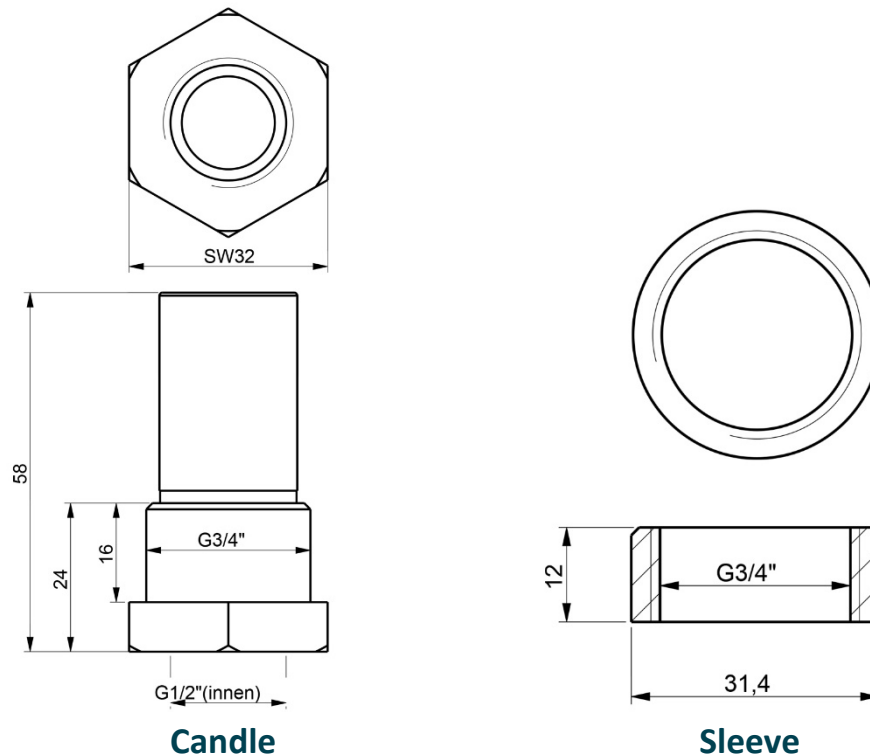
ANI-34

Description

- Highly porous aeration nozzle (\varnothing pore size 13 μm)
- for aeration and fluidization of bulk materials
- Aeration candle made of 1.4404 stainless steel, food safe
- Operating temperatures up to 500°C (reducing), up to 400°C (oxidizing)
- Easy mounting from outside due to welding socket (ST 37 / 1.4571)
- Almost maintenance free



Dimensions



Also available in customized special designs:

