

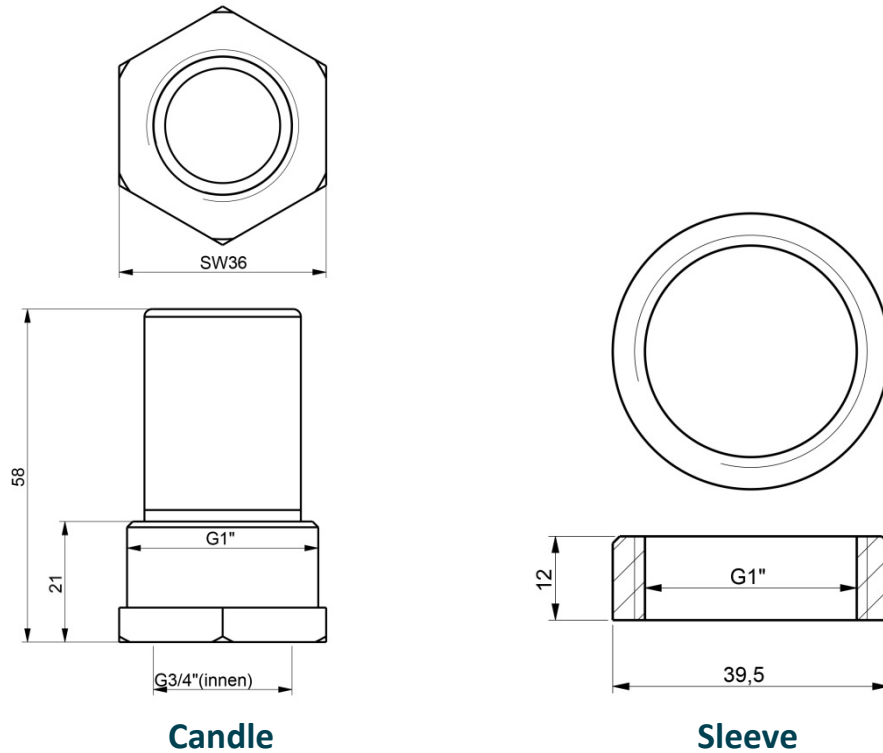
ANI-1

Description

- Highly porous aeration nozzle (\varnothing pore size 13 μm)
- For aeration and fluidization of bulk materials
- Aeration nozzle made of 1.4404 stainless steel, food safe
- Operating temperatures up to 500°C (reducing), up to 400°C (oxidizing)
- Simple mounting from the outside by means of weld-on sockets (ST 37 / 1.4571)
- Almost maintenance free



Dimension



Also available in customized special designs:

