

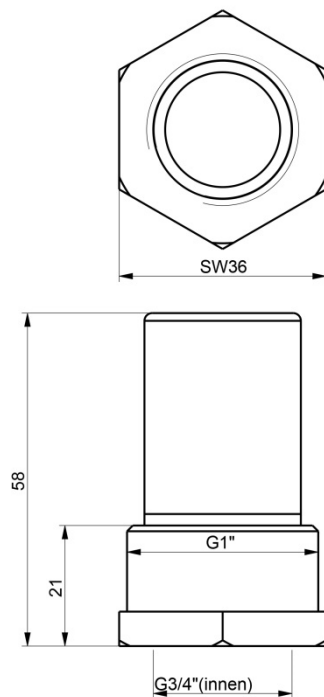
# ANI-112

## Description

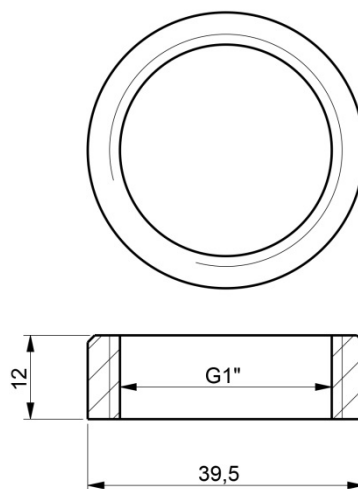
- Highly porous aeration nozzle ( $\varnothing$  pore size 13  $\mu\text{m}$ )
- For aeration and fluidization of bulk materials
- Aeration nozzle made of 1.4404 stainless steel, food safe
- Operating temperatures up to 500°C (reducing), up to 400°C (oxidizing)
- Simple mounting from the outside by means of weld-on sockets (ST 37 / 1.4571)
- Almost maintenance free



## Dimension



**Candle**



**Sleeve**

Also available in customized special designs:

