

# MVE 90/15

## Performance data

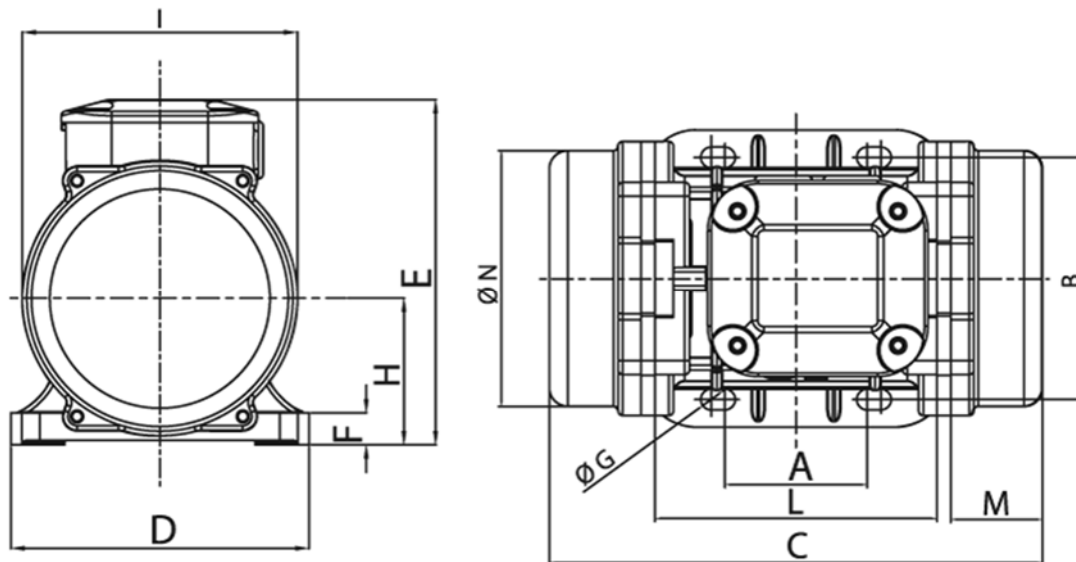
- 4-pole motor, rated speed: 1500 rpm
- Standard: 400V / 50 Hz, 3-phase
- ATEX II 2D Ex tb IIIC Tx Db IP66
- Start-up possible in any position



Type	Working moment	Unbalance force	Performance	Max. current	Weight
	[kgcm]	[kN]	[kW]	[A]	[kg]
MVE 90/15	5,97	0,74	0,12	0,30	7,40

Table 1: Performance data (at 400V / 50 Hz)

## Dimensions



Dimension	A	B	C	D	E	F	G	H	I	L	M	N	Screw
	[mm]	[mm]	[mm]	[mm]	[mm]	[mm]	[mm]	[mm]	[mm]	[mm]	[mm]	[mm]	
90/15	62-74	106	219	131	159	15	9	64	121	123	41	112	M8

Table 2: Dimensions