

MVE 300/3

Performance data

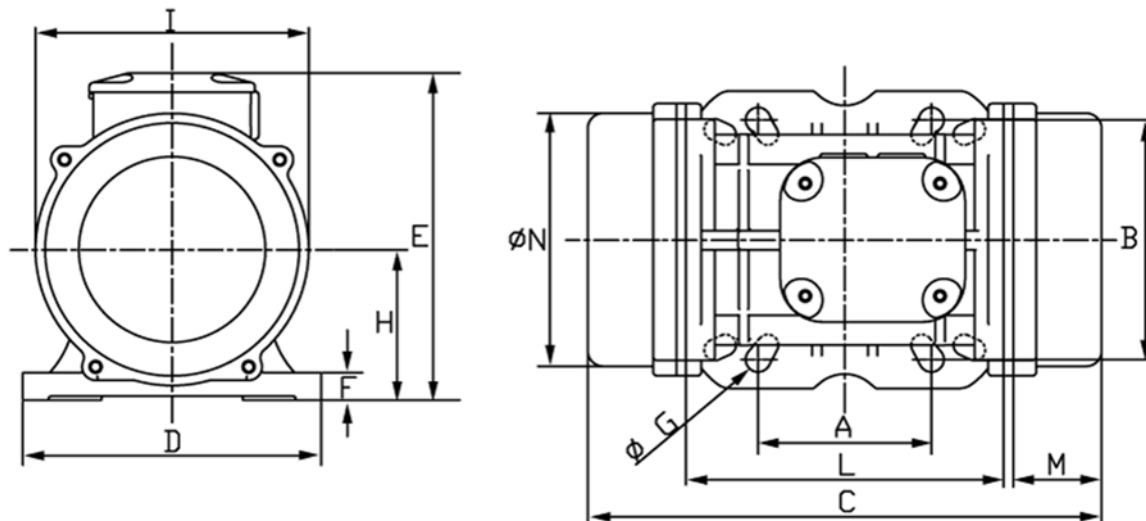
- 2-pole motor, rated speed: 3000 rpm
- Standard: 400V / 50 Hz, 3-phase
- Special version 1 phase 230V / 50 Hz with capacitor available
- ATEX II 2D Ex tb IIIC Tx Db IP66
- Start-up possible in any position



Type	Working moment [kgcm]	Unbalance force [kN]	Performance [kW]	Max. current [A]	Weight [kg]
MVE 300/3	6,4	3,15	0,27	0,52	9,80

Table 1: Performance data (at 400V / 50 Hz)

Dimensions



Type	A	B	C	D	E	F	G	H	I	L	M	N	Screw
	[mm]	[mm]	[mm]	[mm]	[mm]	[mm]	[mm]	[mm]	[mm]	[mm]	[mm]	[mm]	
MVE 300/3	80	110	253	154	175	15	11	79	142	163	45	131	M10
	90	125					13						M12
	124	110					11						M10
	135	115					11						M10

Table 2: Dimensions