

MVE 200/3

Performance data

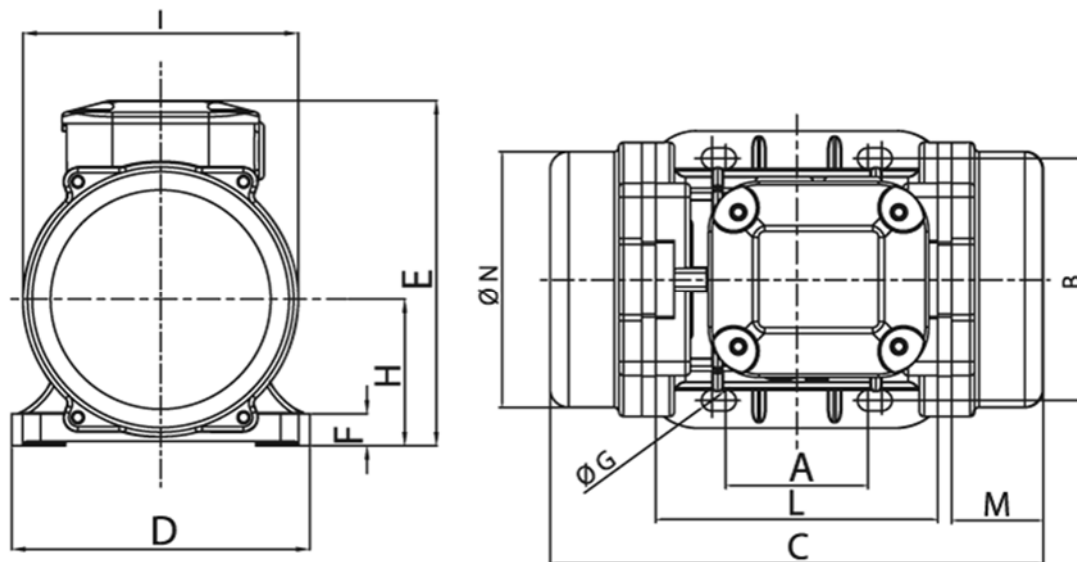
- 2-pole motor, rated speed: 3000 rpm
- Standard: 400V / 50 Hz, 3-phase
- Special version 1 phase 230V / 50 Hz with capacitor available
- ATEX II 2D Ex tb IIIC Tx Db IP66
- Start-up possible in any position



Type	Working moment [kgcm]	Unbalance force [kN]	Performance [kW]	Max. current [A]	Weight [kg]
MVE 200/3	3,72	1,83	0,18	0,35	7,00

Table 1: Performance data (at 400V / 50 Hz)

Dimensions



Type	A	B	C	D	E	F	G	H	I	L	M	N	Screw
	[mm]	[mm]	[mm]	[mm]	[mm]	[mm]	[mm]	[mm]	[mm]	[mm]	[mm]	[mm]	
MVE 200/3	62-74	106	231	131	159	15	9	64	121	123	54	112	M8

Table 2: Dimensions