

MVE 10000/15

Performance data

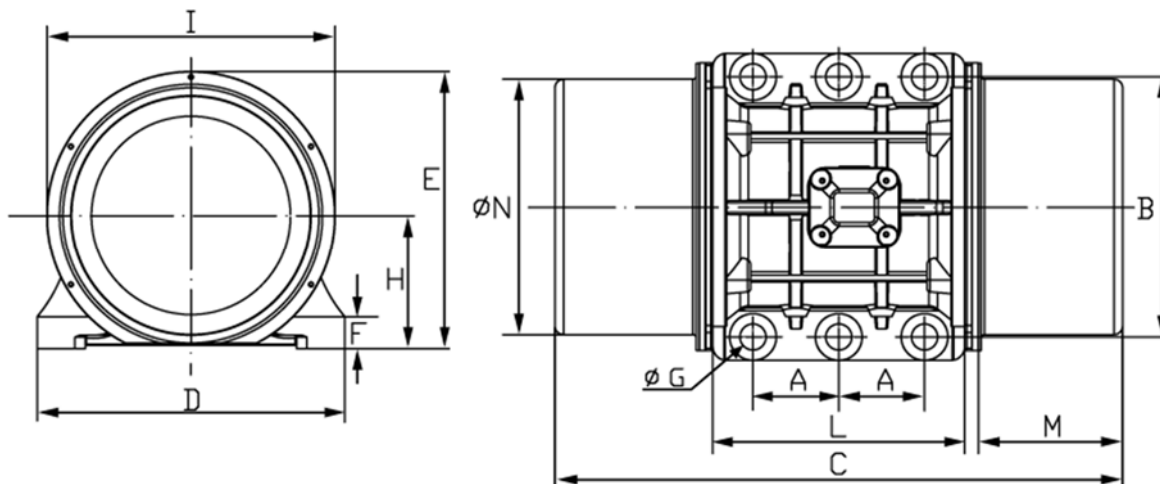
- 4-pole motor, rated speed: 1500 rpm
- Standard: 400V / 50 Hz, 3-phase
- ATEX II 2D Ex tb IIIC Tx Db IP66
- Start-up possible in any position



Type	Working moment	Unbalance force	Performance	Max. current	Weight
	[kgcm]	[kN]	[kW]	[A]	[kg]
MVE 10000/15	800	98,6	7,8	13,00	312

Table 1: Performance data (at 400V / 50 Hz)

Dimensions



Dimension	A	B	C	D	E	F	G	H	I	L	M	N	Screw
	[mm]	[mm]	[mm]	[mm]	[mm]	[mm]	[mm]	[mm]	[mm]	[mm]	[mm]	[mm]	
MVE 10000/15	125	380	726	452	412	44	38	204	422	367	160	378	M36

Table 2: Dimensions