

Micro 21-3 M

Leistungsdaten

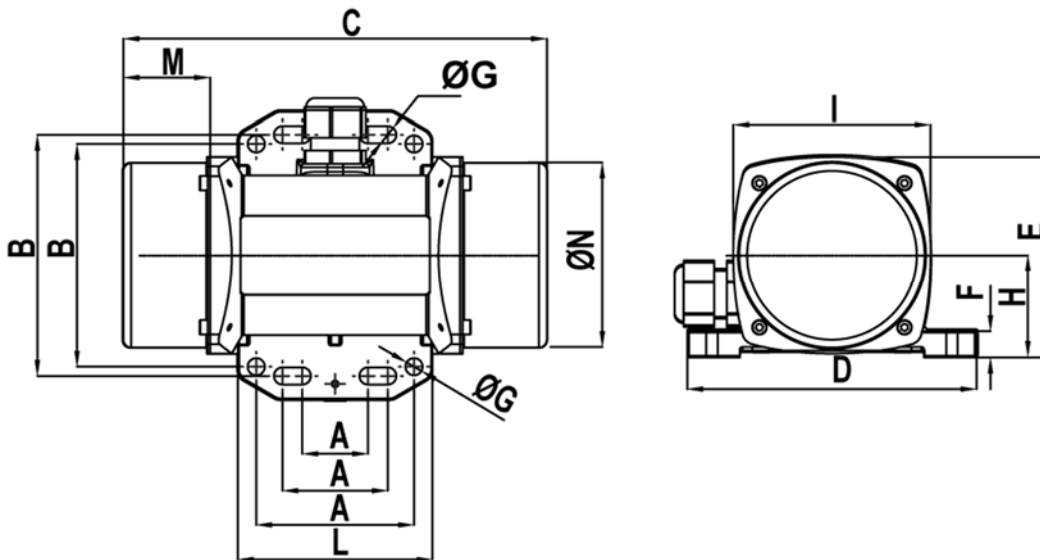
- 2-poliger Motor, Nenndrehzahl: 3000 U/min
- Spannung 230V / 50 Hz, 1-Phase
- ATEX II 2D Ex tb IIIC Tx Db IP66
- Anlauf in jeder Position möglich



| Typ | Arbeitsmoment | Unwuchtkraft | Leistung | max. Strom | Gewicht |
|--------------|---------------|--------------|----------|------------|---------|
| | [kgcm] | [N] | [kW] | [A] | [kg] |
| Micro 21/3 M | 0,40 | 196 | 0,04 | 0,2 | 2,0 |

Tabelle 1: Leistungsdaten (bei 230V / 50 Hz)

Abmessungen



| Maß | A | B | C | D | E | F | G | H | I | L | M | N |
|--------------|-------|------|------|------|------|------|------|------|------|------|------|------|
| | [mm] | [mm] | [mm] | [mm] | [mm] | [mm] | [mm] | [mm] | [mm] | [mm] | [mm] | [mm] |
| Micro 21/3 M | 25-40 | 92 | 145 | 110 | 76,5 | 10 | 6,5 | 39 | 75 | 74 | 25 | 70,5 |
| | 60 | 85 | | | | | | | | | | |

Tabelle 2: Abmessungen