

# BLE18

## Performance data

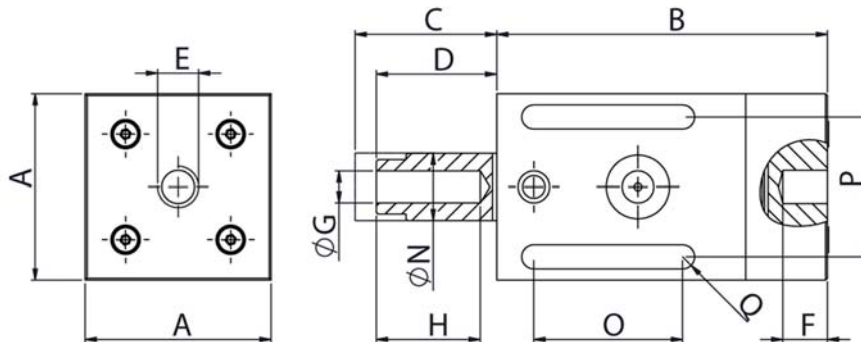
- Operating temperatures -20°C bis 200°C
- Start-up possible in any position
- Maintenance-free, oil-free operation possible (lubrication increases service life)
- Outward swinging piston with mounting option
- Vibration frequency and force are adjusted via the operating pressure
- Noise level below 80 dB(A)



Typ	Vibration frequency [1/min]			Force [N]			Working torque [kg*cm]			Air consumption [l/min]		
	2 bar	4 bar	6 bar	2 bar	4 bar	6 bar	2 bar	4 bar	6 bar	2 bar	4 bar	6 bar
BLE18	2.070	2.520	3.300	79	118	213	0,34	0,36	0,36	29	55	100

Table 1: Performance data

## Dimensions



Typ	A	B	C	D	E	F	G	H	I	L	M	N	O	P	Q	R	S	T	Weight	
	mm	mm	mm	mm		mm		mm	mm			mm	mm	mm	mm			mm	mm	[kg]
BLE18	50	89	32	10	M10	10	M10	26	12	1/8"	1/8"	18	40	37,5	6,5					0,6

Table 2: Dimensions