

# S36

## Performance data

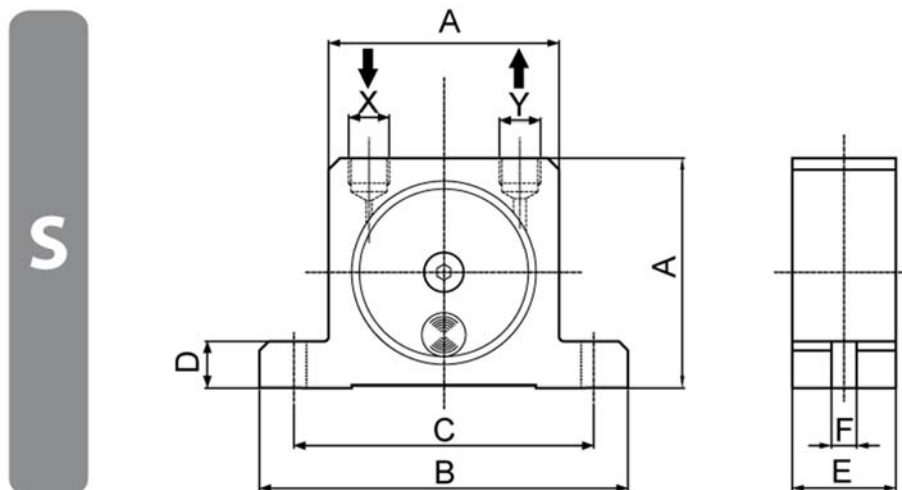
- The vibrations are generated by a ball guided in a hardened steel ring in an epicyclic motion
- Operating temperatures -20°C bis +200°C
- Start-up possible in any position
- A 3/2 way valve and filtered compressed air are required for operation
- Vibration frequency and force are adjusted via the operating pressure (up to 6 bar)
- ATEX Zone 21 II 2D c T95°C/135°C/200°C/210°C  
 Zone 1 II 2G c T5/T4/T3/T2



Typ	Rotation speed [1/min]			Unbalanced Force [kN]			Air consumption [l/min]		
	2 bar	4 bar	6 bar	2 bar	4 bar	6 bar	2 bar	4 bar	6 bar
S36	7.300	9.000	10.000	2,02	3,09	3,97	260	475	675

Table 1: Performance data

## Dimensions



Typ	A	B	C	D	E	F	X-Y	Weight
	[mm]	[mm]	[mm]	[mm]	[mm]	[mm]		[kg]
S36	100	160	130	20	50	11	3/8"	1,34

Table 2: Dimensions