

MVE 50 DC 12

Leistungsdaten

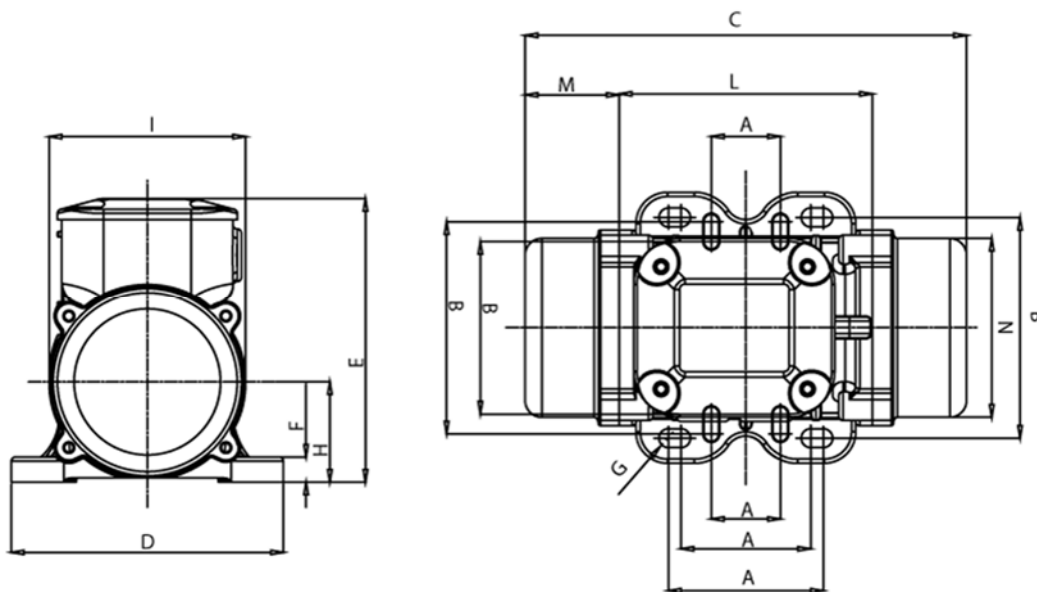
- Motor Nenndrehzahl: 3000 U/min
- Gleichstromanschluss
- Anlauf in jeder Position möglich



| Typ | Arbeitsmoment | Unwuchtkraft | Leistung | max. Strom | Spannung | Gewicht |
|--------------|---------------|--------------|----------|------------|----------|---------|
| | [kgcm] | [N] | [W] | [A] | [VDC] | [kg] |
| MVE 50 DC 12 | 1,02 | 491 | 80 | 6,6 | 12 | 4,4 |

Tabelle 1: Leistungsdaten

Abmessungen



| Maß | A | B | C | D | E | F | G | H | I | L | M | N | Schraube |
|--------------|-------|--------|------|------|------|------|------|------|------|------|------|----|----------|
| | [mm] | [mm] | [mm] | [mm] | [mm] | [mm] | [mm] | [mm] | [mm] | [mm] | [mm] | | |
| MVE 50 DC 12 | 62-74 | 106 | 211 | 130 | 132 | 12 | 7 | 48 | 94 | 121 | 45 | 85 | M 8 |
| | 33 | 83-102 | | | | | | | | | | | M6 |

Tabelle 2: Abmessungen