

F18

Performance data

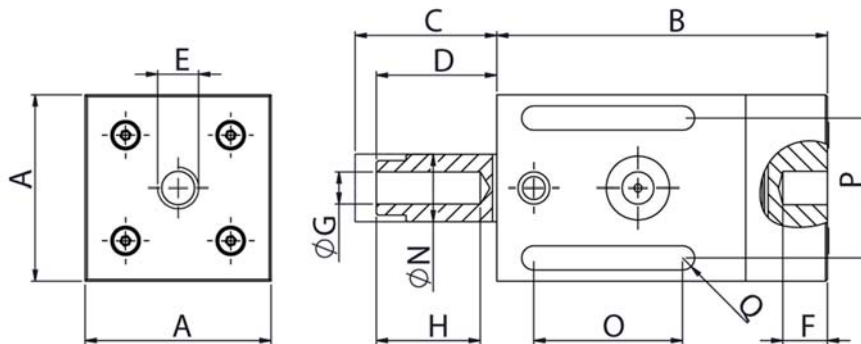
- Operating temperatures -20°C bis 200°C
- Start-up possible in any position
- Maintenance-free, oil-free operation possible (lubrication increases service life)
- Outward swinging piston with mounting option
- Vibration frequency and force are adjusted via the operating pressure
- ATEX Zone 21 II 2D c T95°C/135°C/200°C/210°C
 Zone 1 II 2G c T5/T4/T3/T2
- Noise level below 80 dB(A)



Typ	Vibration frequency [1/min]			Force [N]			Working torque [kg*cm]			Air consumption [l/min]		
	2 bar	4 bar	6 bar	2 bar	4 bar	6 bar	2 bar	4 bar	6 bar	2 bar	4 bar	6 bar
F18	2.070	2.520	3.300	79	118	213	0,34	0,36	0,36	29	55	100

Table 1: Performance data

Dimensions



Typ	A	B	C	D	E	F	G	H	I	L	M	N	O	P	Q	R	S	T	Weight
	mm	mm	mm	mm		mm		mm	mm			mm	mm	mm	mm				[kg]
F18	50	89	32	10	M10	10	M10	26	12	1/8"	1/8"	18	40	37,5	6,5				0,6

Table 2: Dimensions