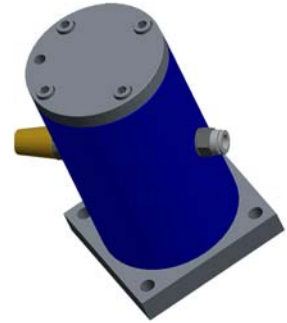


BL60

Performance data

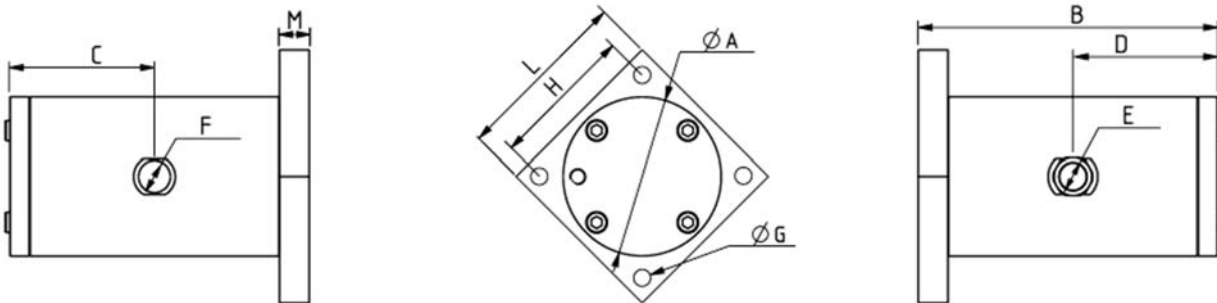
- Operating temperatures -20°C bis 130°C
- Start-up possible in any position
- Maintenance-free, oil-free operation possible (lubrication increases service life)
- Vibration frequency and force are adjusted via the operating pressure
- Noise level below 80 dB(A)



Typ	Vibration frequency [1/min]			Force [N]			Working torque [kg*cm]			Air consumption [l/min]		
	2 bar	4 bar	6 bar	2 bar	4 bar	6 bar	2 bar	4 bar	6 bar	2 bar	4 bar	6 bar
BL60	1.200	1.500	1.700	608	1.079	1.383	7,67	8,76	8,76	48	125	202

Table 1: Performance data

Dimensions



Typ	A	B	C	D	E	F	G	H	L	M	Weight
	[mm]	[mm]	[mm]	[mm]				[mm]	[mm]	[mm]	[kg]
BL60	115	224	115	115	1/2"	1/2"	13	102	130	24	4,40

Table 2: Dimensions