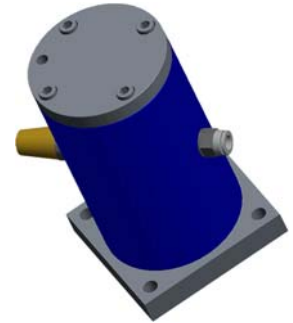


# BL50

## Performance data

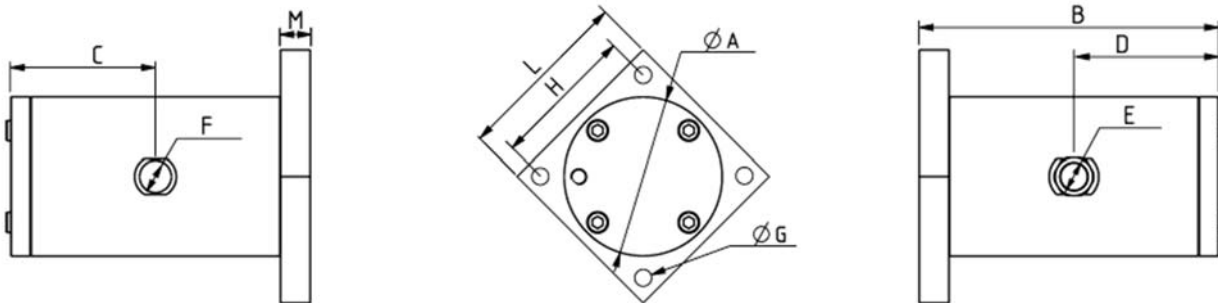
- Operating temperatures -20°C bis 130°C
- Start-up possible in any position
- Maintenance-free, oil-free operation possible (lubrication increases service life)
- Vibration frequency and force are adjusted via the operating pressure
- Noise level below 80 dB(A)



Typ	Vibration frequency [1/min]			Force [N]			Working torque [kg*cm]			Air consumption [l/min]		
	2 bar	4 bar	6 bar	2 bar	4 bar	6 bar	2 bar	4 bar	6 bar	2 bar	4 bar	6 bar
BL50	1.800	2.250	2.625	379	667	903	1,07	2,40	2,40	56	125	194

Table 1: Performance data

## Dimensions



Typ	A	B	C	D	E	F	G	H	L	M	Weight
	[mm]	[mm]	[mm]	[mm]				[mm]	[mm]	[mm]	[kg]
BL50	80	151	78	78	1/4"	3/8"	8,5	72	90	20	3,0

Table 2: Dimensions